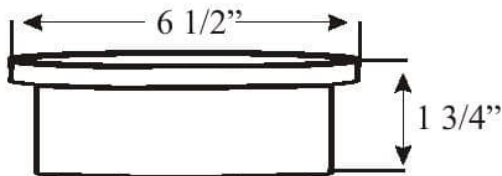


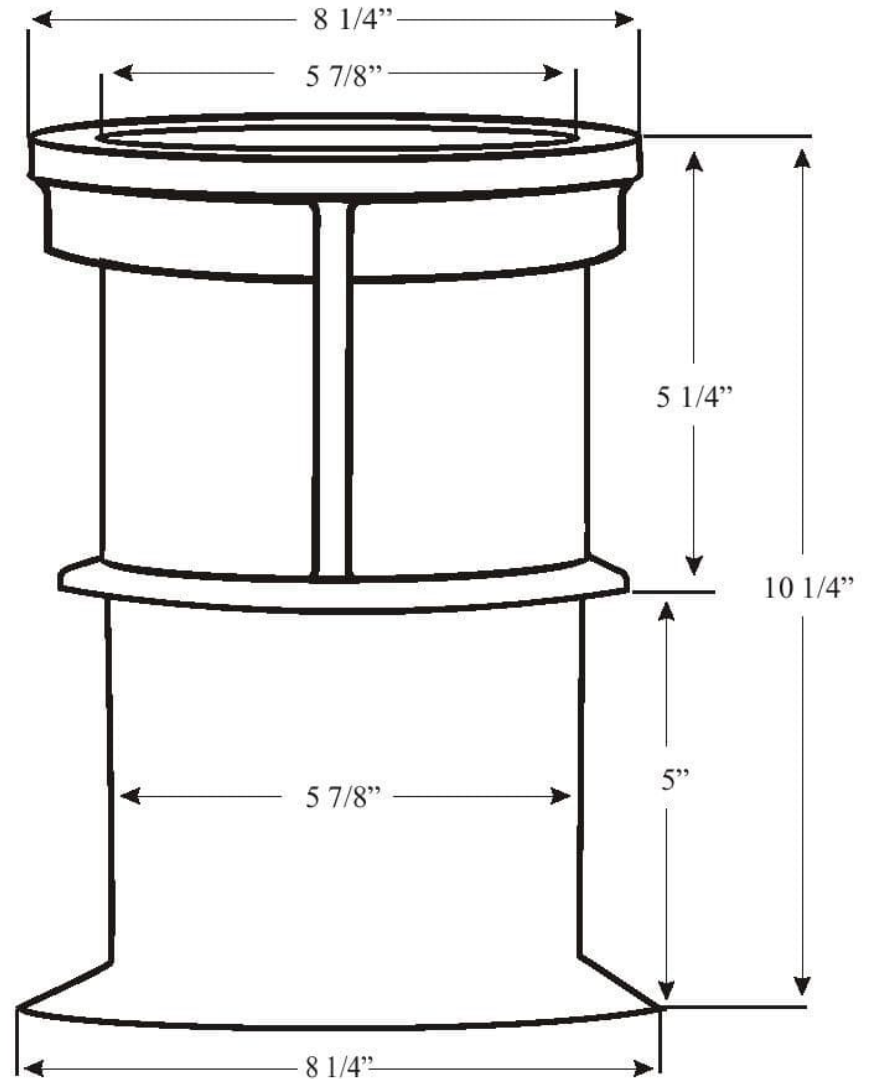
**SEWER CLEANOUT  
TOP INTERIOR VIEW**



**CAP TOP VIEW**



**CAP SIDE VIEW**



**SEWER CLEANOUT  
SIDE VIEW**

**Figure # 668  
Locking SEWER Cleanout**

Casting conforms to:  
ASTM specification A-48 Class 30  
Country of Origin: USA

ABS shaft conforms to:  
ASTM specification D-1788  
Country of Origin: USA

CP Test & Valve Products, Inc.

*U.S. Patent # 5,769, 565*