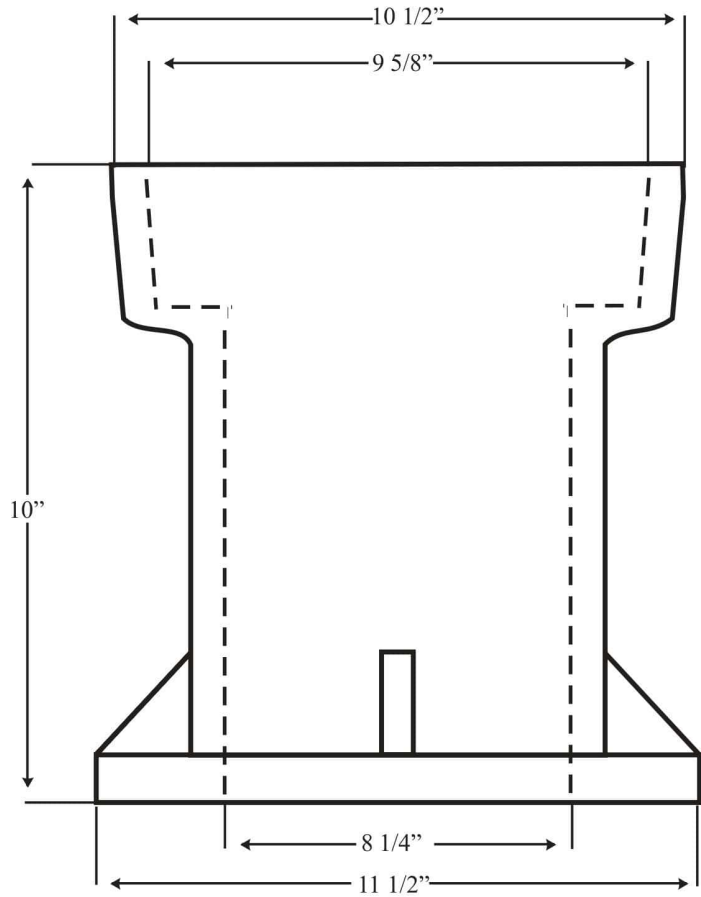
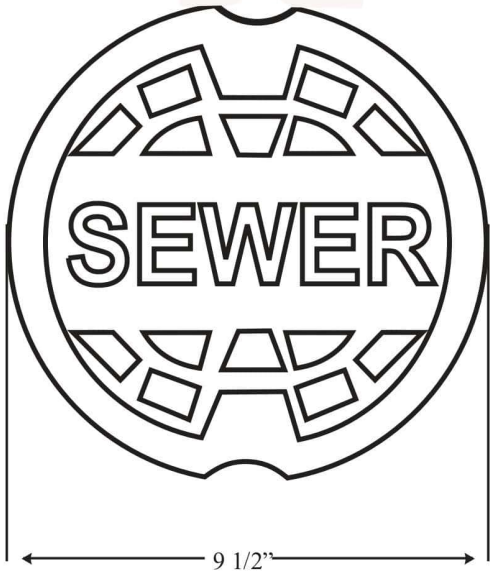
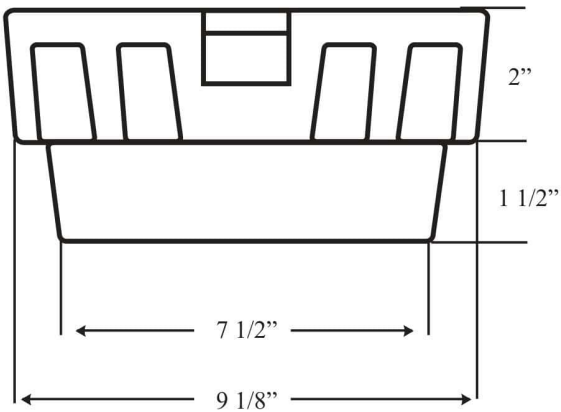


## Lid Top View



## Lid Side View



## Figure # SC60 8" Roadway Sewer Cleanout 10" High

Casting conforms to:  
ASTM specifications A-48 Class 30

Certified Tested to exceed  
H-20 Load Test Rating  
CP Test & Valve Products, Inc.