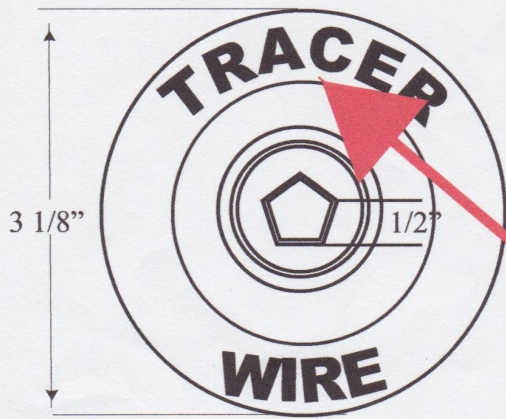
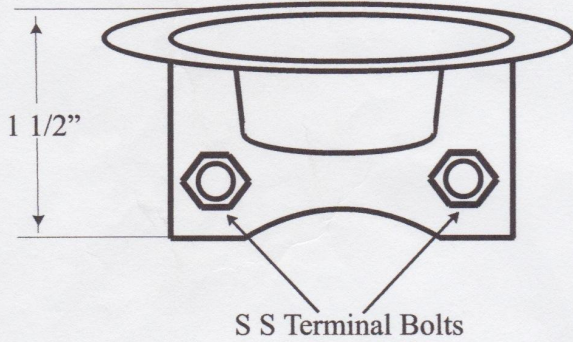


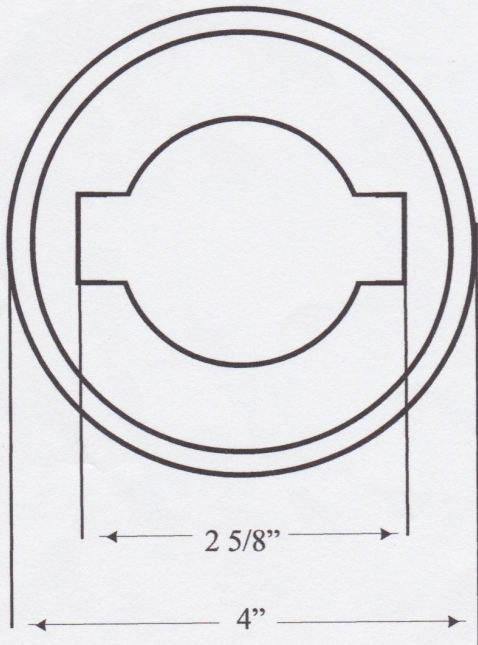
Lid Top View



Lid Side View



Collar Top View



Complete Box Side View

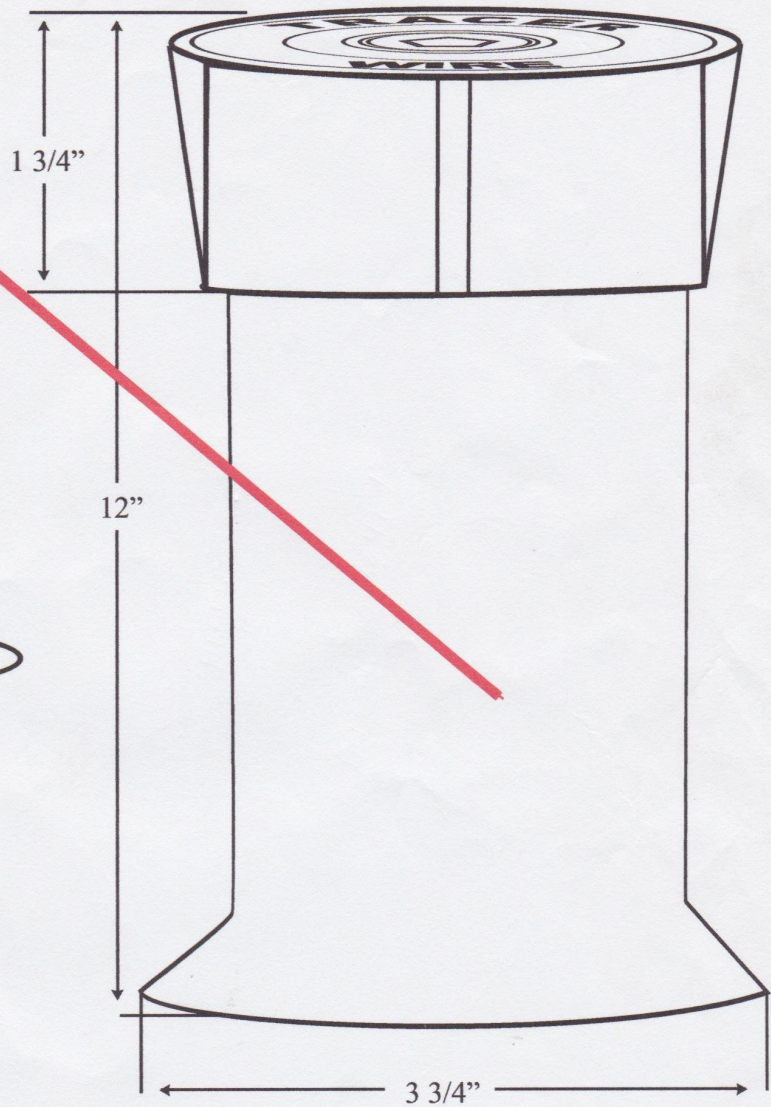


Figure # TRAB  
Tracer Wire Access Box

Casting conforms to:  
ASTM specification A-48 Class 30  
Country of Origin: USA

ABS conforms to:  
ASTM specification D1788  
Country of Origin: USA

C.P. Test Services - Valvco, Inc.