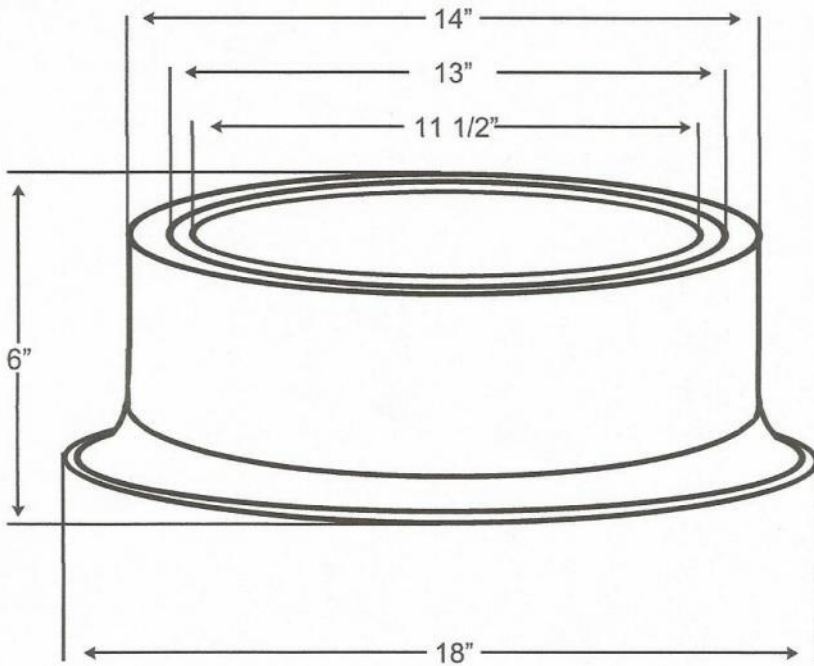
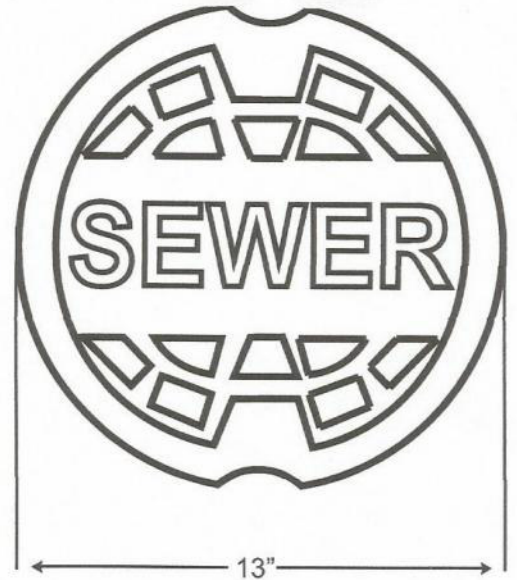


Frame



Lid Top View



Complete



Lid Side View

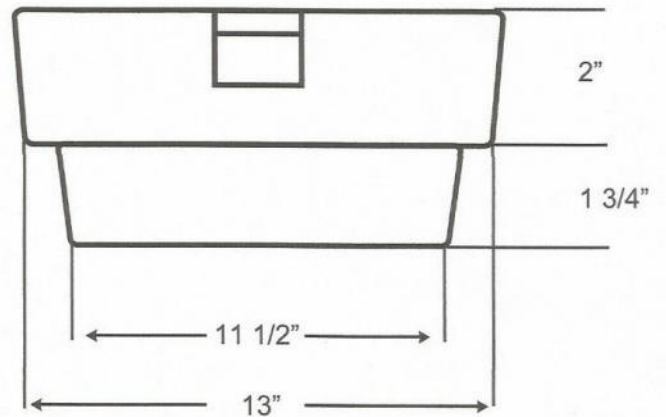


Figure # SC100
12" Roadway Sewer Cleanout
6" High

Casting conforms to:
ASTM specifications A-48 Class 30

Certified Tested to exceed
H-20 Load Test Rating
CP Test & Valve Products, Inc.