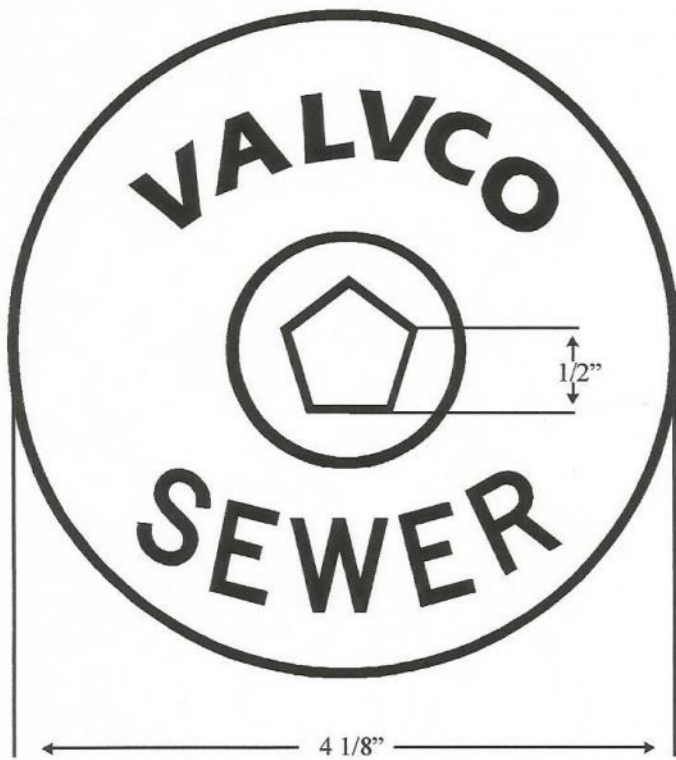
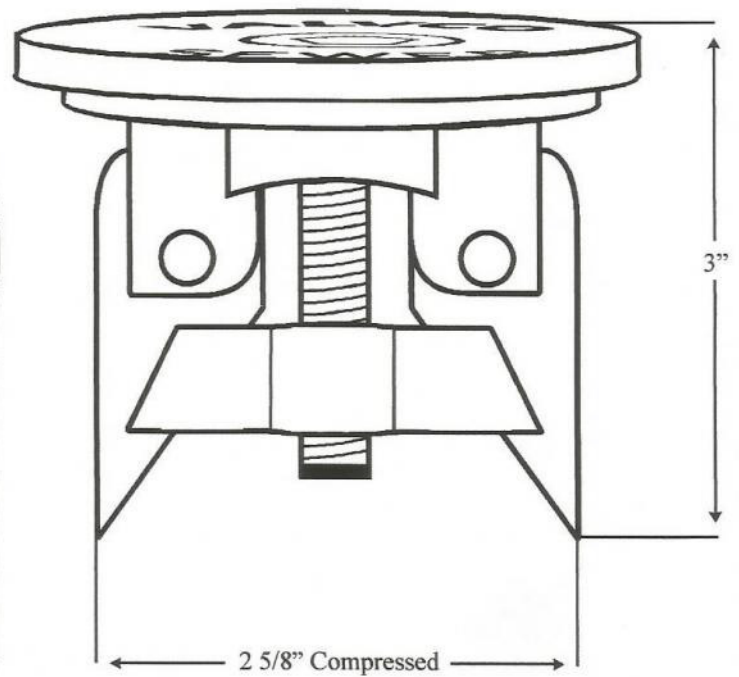


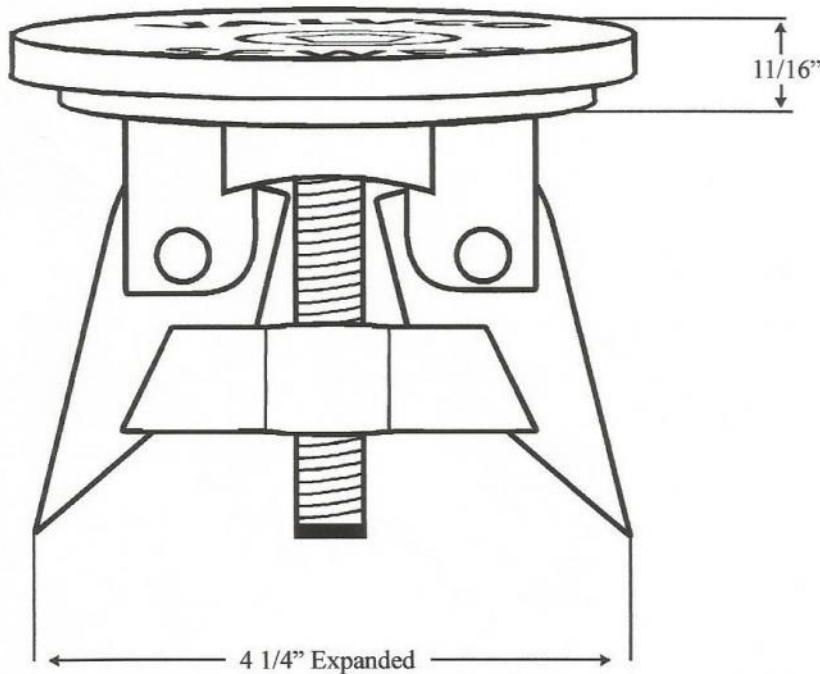
Top View



Side View Closed



Side View Open



WATER Lid
 also available standard
 Special lettering upon request

Figure # NSRL
New Style Repair Lid
Fits 2 1/2" Inside Lids

Casting conforms to:
 ASTM specification A-48 Class 30

Pentagon brass bolt conforms to:
 ASTM specifications

CP Test & Valve Products, Inc.