

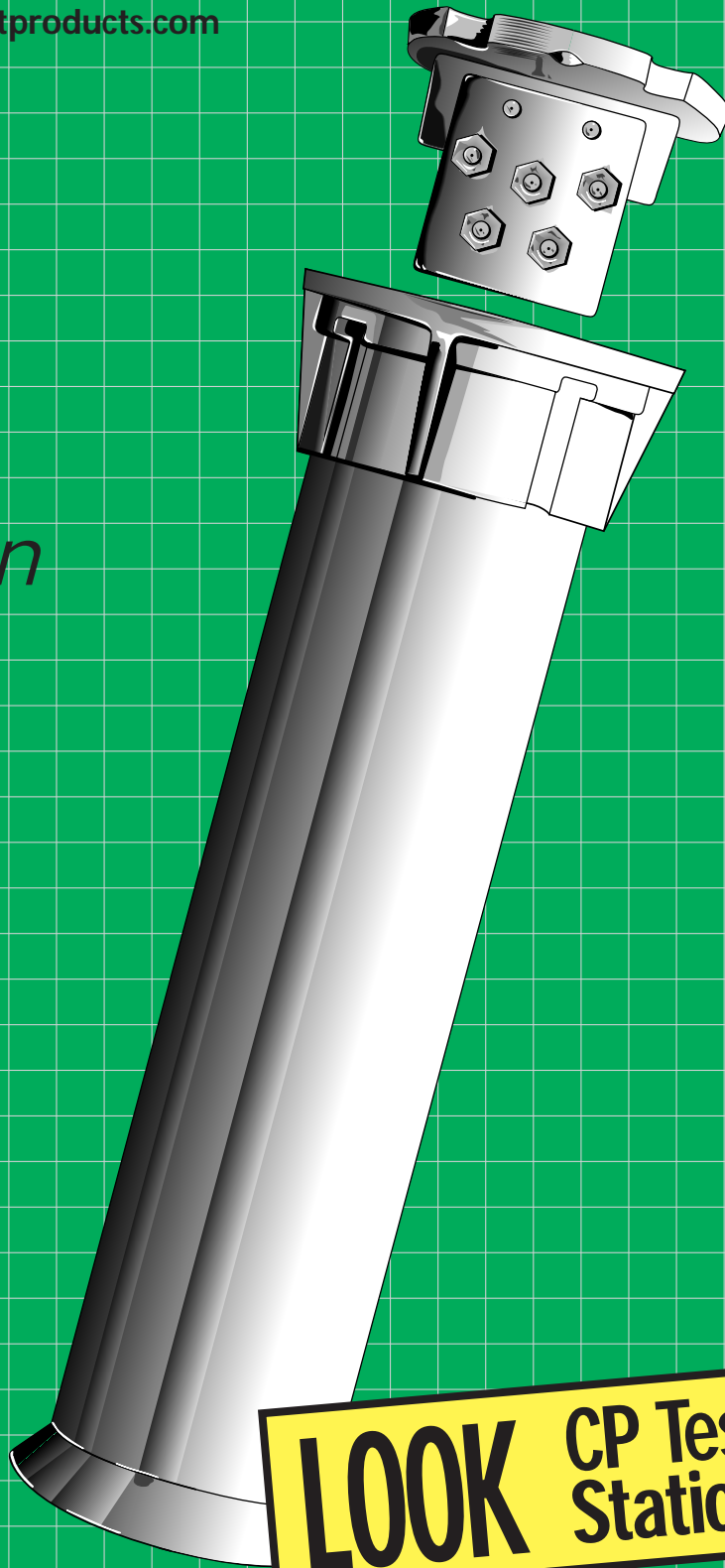


Test & Valve Products, Inc.

P.O. Box 311 • Kearny, N.J. 07032 • 201.998.1500

www.cptestproducts.com

*Your Key
to Corrosion
Monitoring
& Utility
Locating*



LOOK CP Test Stations!



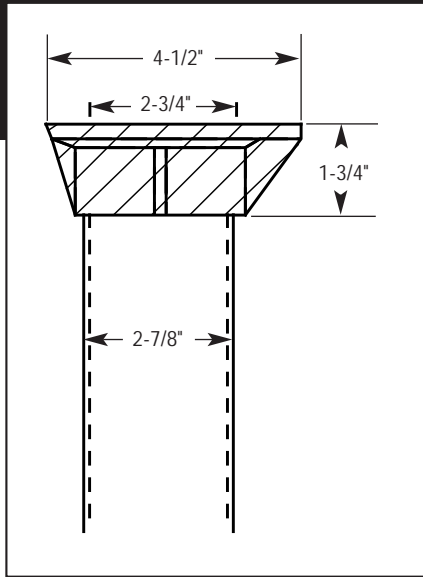


Mini Test Station

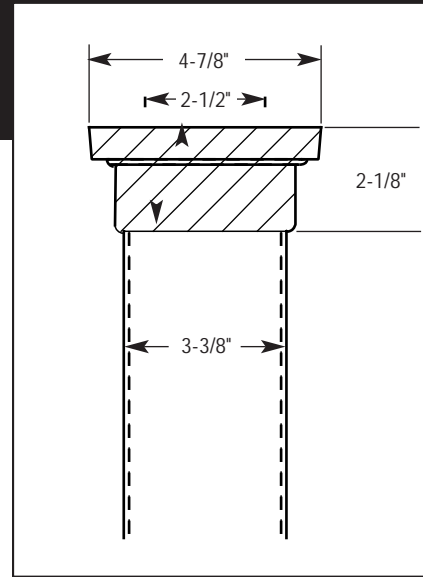
MRB Test Station

- Locking Lid
- Ideal for Tracer Wire and Locating

- Locking Lid
- Removable Bolt



SHIPPING WEIGHT 2.5 LBS.



SHIPPING WEIGHT 2.5 LBS.



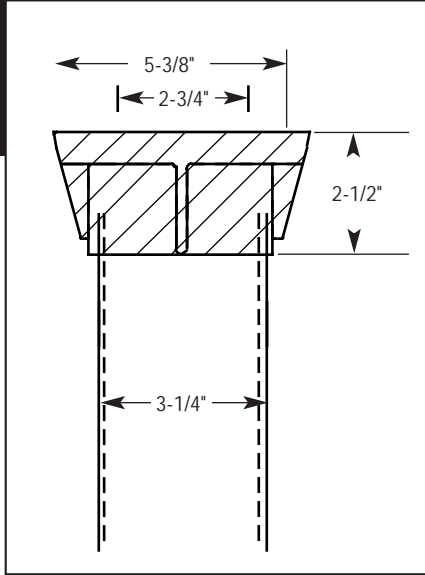
All Test Stations Are Made of High Impact A.B.S. Plastic and Heavy Duty Cast Iron Collars and Covers ASTM Class 25 or Higher.





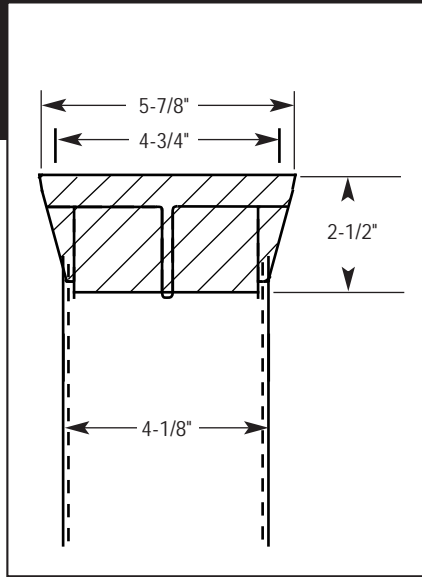
Chip Test Station Glenn Test Station

• Locking Lid



SHIPPING WEIGHT 6 LBS.

• Locking Lid
or Non-Locking Lid



SHIPPING WEIGHT 7 LBS.



Custom Lettering on Most Models Using Our Foundry Pattern Inserts. Lead times are short and charges are nominal. *Call for an estimate.*



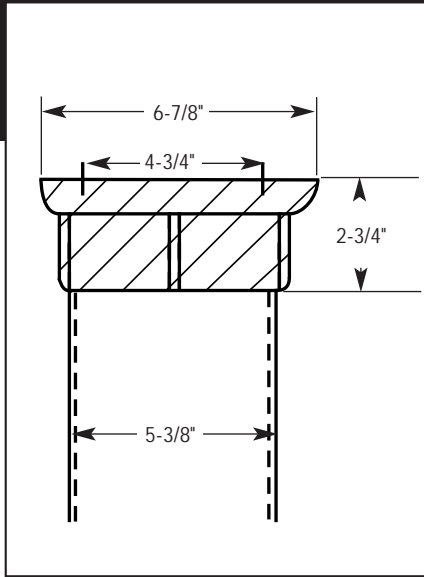


NM Test Station

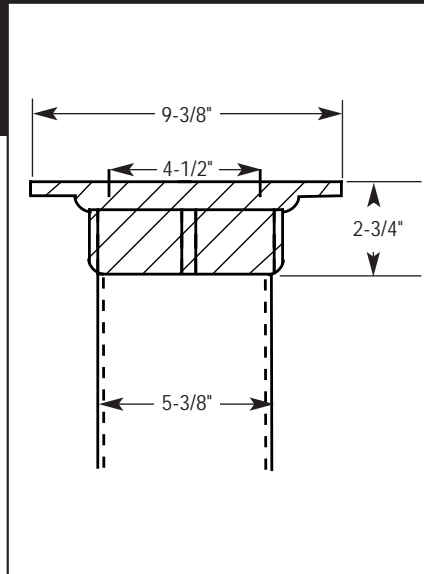
NM 5-A Test Station

- Locking or Non-Locking Lid
- 1" Repaving Adapter Available

- Locking Lid or Non-Locking Lid



SHIPPING WEIGHT 13 LBS.



SHIPPING WEIGHT 16 LBS.



• Standard Shaft Length is 18" - Longer or Shorter Shafts Available.
• Adjustable Versions Available for Any Test Station Where Top Section and Bottom Section Telescope Together.

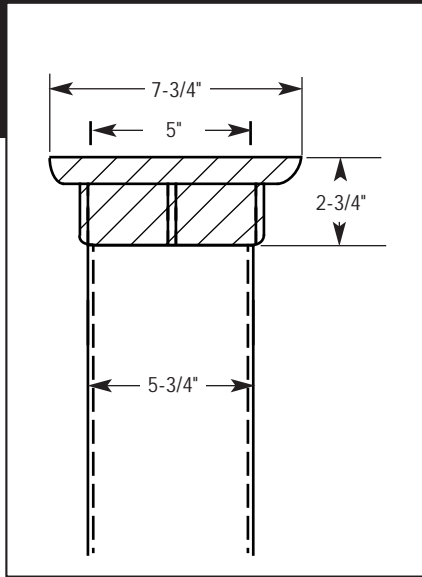




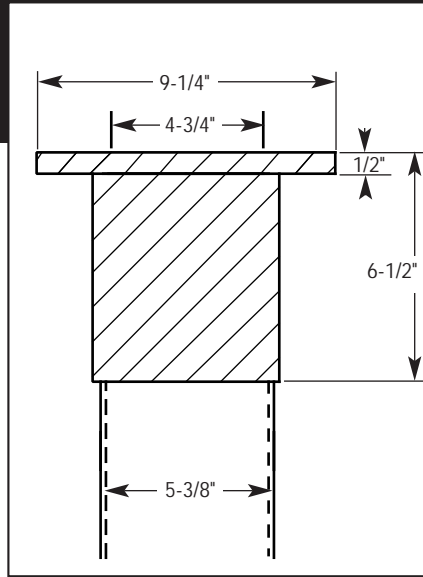
CC Test Station EQ Test Station

• Non-Locking Lid

• Non-Locking Lid



SHIPPING WEIGHT 13 LBS.



SHIPPING WEIGHT 20 LBS.



• Special pentagonal key wrench available for locking test station covers.
• Full line of replacement parts and accessories kept in stock.



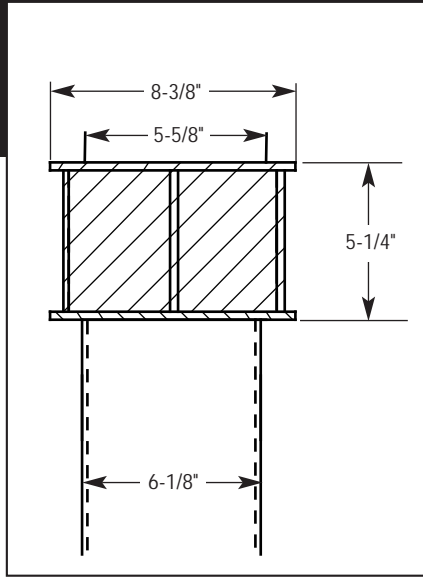


#668 Test Station

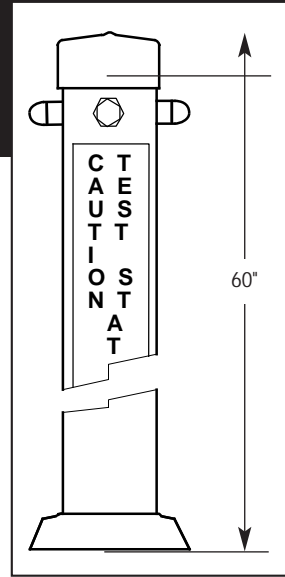
Marker Post

- Locking Lid
- 1" Repaving Adapter Available

- Available in Variety of Heights and Diameters



SHIPPING WEIGHT 24 LBS.



SHIPPING WEIGHT 3 LBS.

**H2O Rated
for Airport
Traffic**



- Special pentagonal key wrench available for locking test station covers.
- Full line of replacement parts and accessories kept in stock.



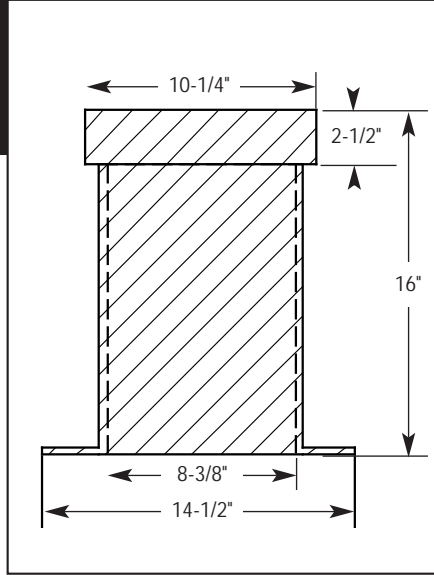


#178 Test Station

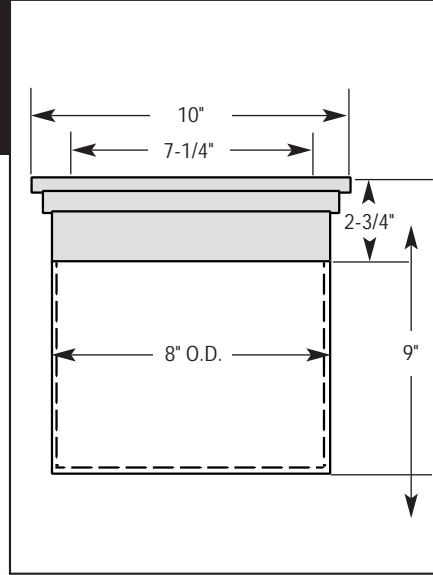
Monitoring Well Test Station

- Non-Locking Lid
- Extensive Range of Repaving Adapters Available

- Locking Lid
- Watertight



SHIPPING WEIGHT 95 LBS.



SHIPPING WEIGHT 16 LBS.



- Special pentagonal key wrench available for locking test station covers.
- Full line of replacement parts and accessories kept in stock.





Options and Parts Available for Test Stations:

- Key wrench for operation of locking covers and prying open both locking and non-locking covers.
- Additional terminals on terminal boards.
- Shorting straps between terminals.
- Lightening gap arrestors.
- Pre-wired test stations with all types of wire gauges, colors, lengths and connectors . . . including 5-way binding posts.
- Adjustable test stations with separate plastic top and bottom sections.
- Custom lettering cast into cover.
- Covers painted colors other than standard yellow.

Check These Exclusive Features and Specifications

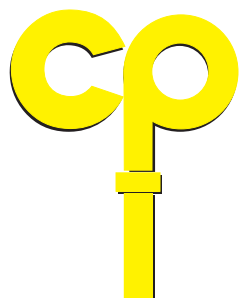
- Heavy-duty cast iron cover and collar, exceeding ASTM- A-48 Class 25 . . . many passing DOT H-20 Roadway and/or FAA runway loading test. We will certify made in U.S.A.
- High quality, strong and durable ABS (acrylonitrile butadiene styrene) plastic shafts, exceeding ASTM D-1788.
- PVC (polyvinyl chloride) terminal boards. Terminal boards prolong wire life by minimizing wire strain and movement.
- Terminals are .25" x 20" threaded stainless steel and/or nickel-plated brass machine screws with nuts, resists corrosion for long life.
- Non-conductive plastic construction eliminates electrolytic and galvanic action to ensure accurate test readings.
- Flared plastic shaft makes test station self-leveling during installation and keeps lead wires protected.

C.P. Test Services & Valve Products, Inc. *Manufactures a broad line of products to provide access . . .*

- **Valve Boxes for Gas & Water Utilities**
- **Sewer Cleanout Caps**
- **Pipeline Markers**
- **PVC Protection Sleeves**

C.P. Test Services & Valve Products, Inc.

- Innovator in Test Station products for over 40 years.
- Woman-owned business
- Granted U.S. Patent . . . #3,601,143; #4,239,056; #4,333,494 and #5,634,488 for innovations in Utility Products. Other patents pending.
- Committed to customer service, offering next day shipment of orders.
- DUNS #07-859-8392
- Email: pamkreig@cptestproducts.com
- P.O. Box 311
Kearny, New Jersey 07032



Test & Valve Products, Inc.

P.O. Box 311, Kearny, New Jersey 07032

TEL: 201.998.1500 • FAX: 201.998.1550

www.cptestproducts.com

